

**LEAD BRICKS
TYPE : LB260**

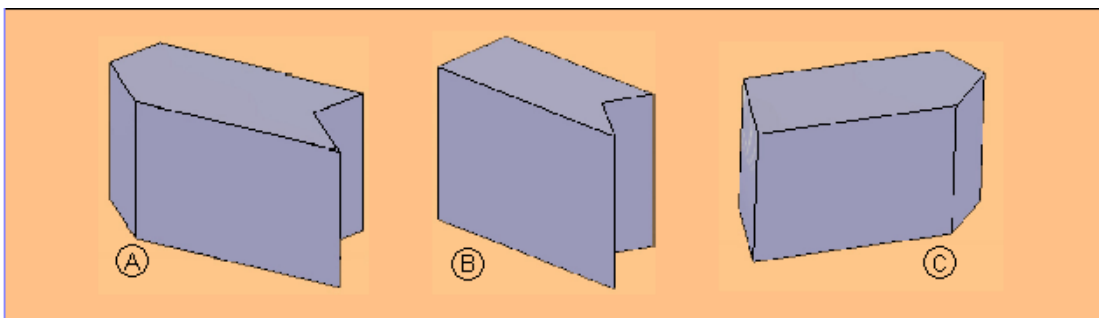
Technical Data

- ❑ Interlocking type of Lead Bricks LB260
- ❑ Designed for building stacks wherever shielding is required
- ❑ In all SIX types of bricks are supplied which include 3 L-shaped corner mountable bricks

Lead brick Type : A, B & C (Inter-lock arrangement as shown picture)

Dimensions : 4"L X 4"W x 1.5" Thickness in inches

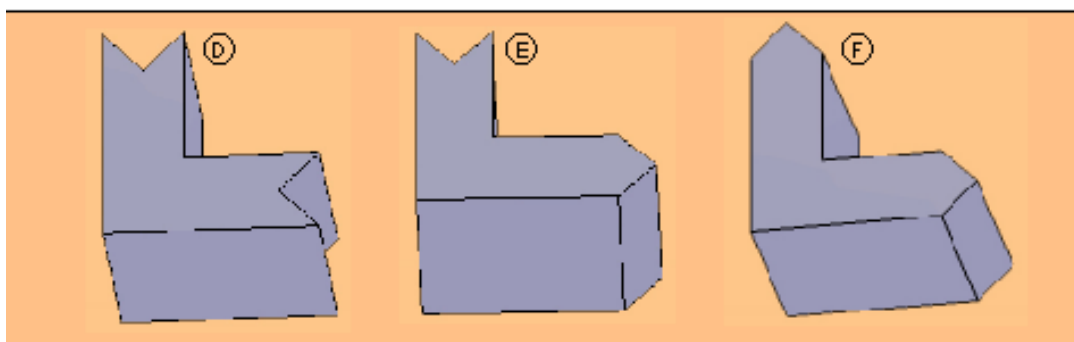
Weight (approx) : A: 5kgs. B:4.5kgs. C: 4.5kgs.



Lead brick Type : D, E & F (Inter-lock arrangement as shown picture)

Dimensions : 4"L X 4"W x 1.5" Thickness in inches

Weight (approx) : D: 7kgs. E:4.7kgs. F: 7kgs.



FILE_NAME : NSPL/DOC / DS / LB260/01

VER_20090516