

Lead Shieldings, Bricks & Containers

TYPE: LS 254 / LS 255

Lead Shieldings, Bricks & Containers

Nucleonix Systems can offer lead bricks, shieldings & containers in different shapes & sizes to meet radiation shielding requirements in Nuclear Medicine & in HDR brachytherapy. We also can offer lead shielded products for other applications as per customized requirements. Some of the products with images & dimensions are listed below.

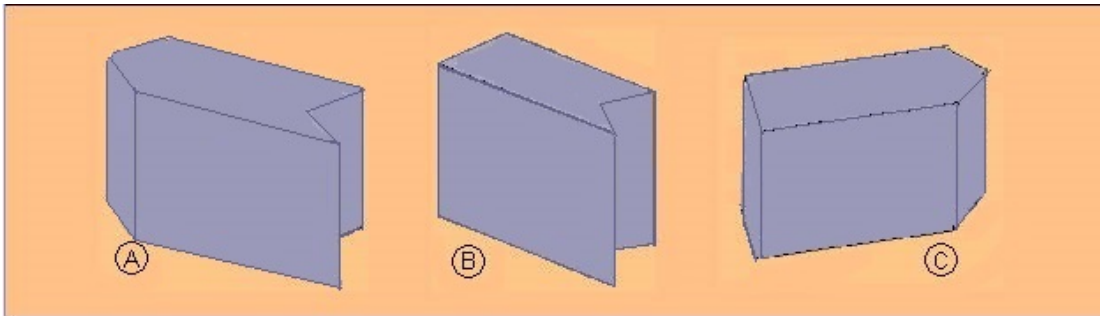
Lead Bricks

Lead Bricks are Interlocking type and are designed for building stacks, walls & cubical shieldings as per requirements. In all SIX types of bricks are supplied which include 3 L- shaped corner mountable bricks. You can order these bricks in quantity as per your requirement.

Lead brick Type : A, B & C (Inter-lock arrangement as shown picture)

Dimensions : 4”L X 4”W x 1.5” Thickness in inches

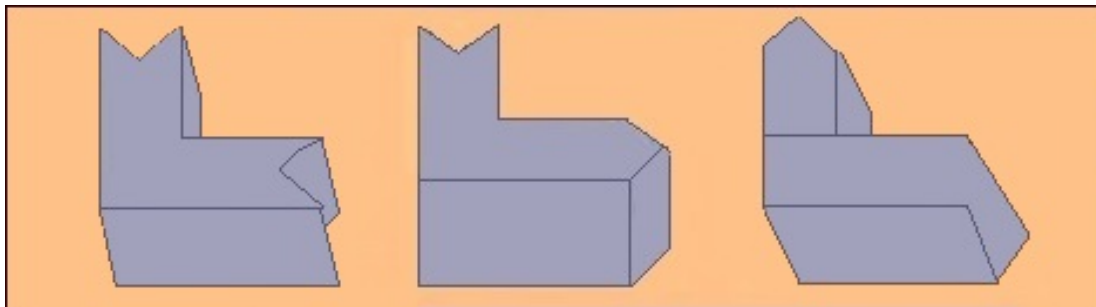
Weight (approx) : A: 5kgs. B: 4.5kgs. C: 4.5kgs.



Lead brick corners type : D, E & F (Inter-lock arrangement as shown picture)

Dimensions : 4”L X 4”W x 1.5” Thickness in inches

Weight (approx) : D: 7kgs. E: 4.7kgs. F: 7kgs.



Lead Storage Container LS 254 / LS 255 are Rectangular Lead Boxes with top openable lid. These are designed for storing Low-Intensity Radioactive Sealed Beta or Gamma Sources, used in Teaching / Research Labs of Nuclear Sciences or other Facilities.

They are available in two dimensions :

A) **Dimensions :** 75L x 75W x 88H (in mm) including top lid.

B) **Dimensions:** 180L x 176W x 176H x 12D (in mm) including top lid without handle.

Thickness can be offered in 12 mm or 25 mm, as per requirement.



Lead Pig Container LP 256 :

This is in Cylindrical in Shape. Used to Store Radiation Waste, generated in Nuclear Medicine, "used target foils" in Cyclotrons used as emergency containers in, HRD brachytherapy etc. This lead Pig Container will have inner SS Cylindrical Container to hold the nuclear waste or used target foils.



Typical Dimensions :

- 1) Outer Diameter of S.S Container - 80 mm.
- 2) Overall Height of S.S Container - 179 mm.
- 3) Outer Diameter of Lead Shielding - 286 mm.
- 4) Inner Diameter of Lead Shielding - 84 mm.
- 5) Thickness of Lead Shielding - 45 mm.
- 6) Overall Height of Lead Shielding with Handle - 325 Approx.

Lead Blocks :

They are used to shield & prevent exposure to radiation of vital organs which should not be exposed during Radiotherapy procedure of Cancer Patients. Shape of these block may be Square, Triangle and sometimes shape of organ to be shielded etc.

Note : Nucleonix Systems can offer custom made lead shieldings for Radioactive Syringe carriers & holders. Lead Blocks, to Shield / Vital protect organs of Cancer Patients from exposure to Radiation during Radiotherapy, procedure can also be custom designed & offered.

Head of the Dept.

M. Seshanith

Approved By

[Signature]